

## **5301K MOBILE DESK ASSEMBLY INSTRUCTIONS**



**\*Model views may not represent exact model purchased**

# TABLE OF CONTENTS

	PAGE
REVISIONS TABLE.....	3
ASSEMBLY COMPONENTS.....	3
CASTER ASSEMBLY.....	4
PULL ASSEMBLY.....	5

# ASSEMBLY COMPONENTS

ITEMS INCLUDED	PART #		PART #
ASSEMBLY INSTRUCTIONS		1-HARDWARE BOX	
4-CASTERS, 4" SWIVEL TOP PLARE	100081	1-CASTER HARDWARE BAG	206509

REV	DESCRIPTION	DATE	INITIAL
---	Original Created	6-22-09	NAM

## Assembly Instructions for 5301K MOBILE DESK

Items not included but needed for assembly:

1. ½" Wrench

2. Adjustable pliers

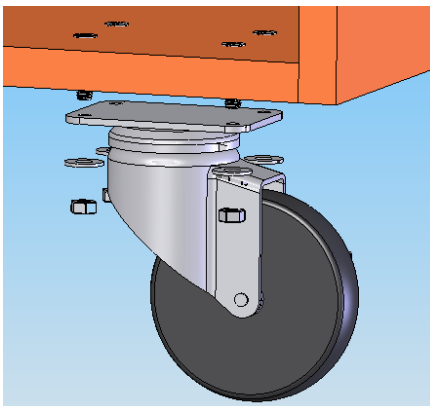
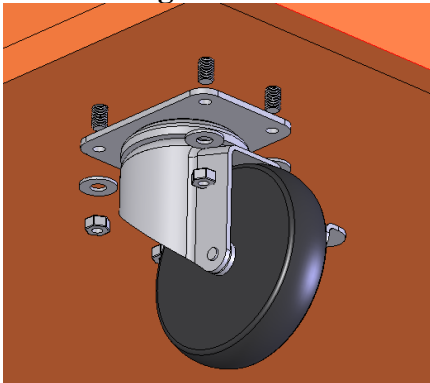
Instructions:

1. Attach the (4) 100081 4" Swivel Top Plate, W/Brake Casters into place using the (16) 100488 Screw, ¼" - 20X1 ¼" slotted flat, (16) 218589 Washer, ¼" Flat, Zinc Plated & the (16) 100483 Nut, ¼" - 20 Hex Zinc into the bottom of the base as shown.

Figure 1



Figure 1A Detail



2. Reverse Pulls to Exterior of unit.

3. Clean top with water only.