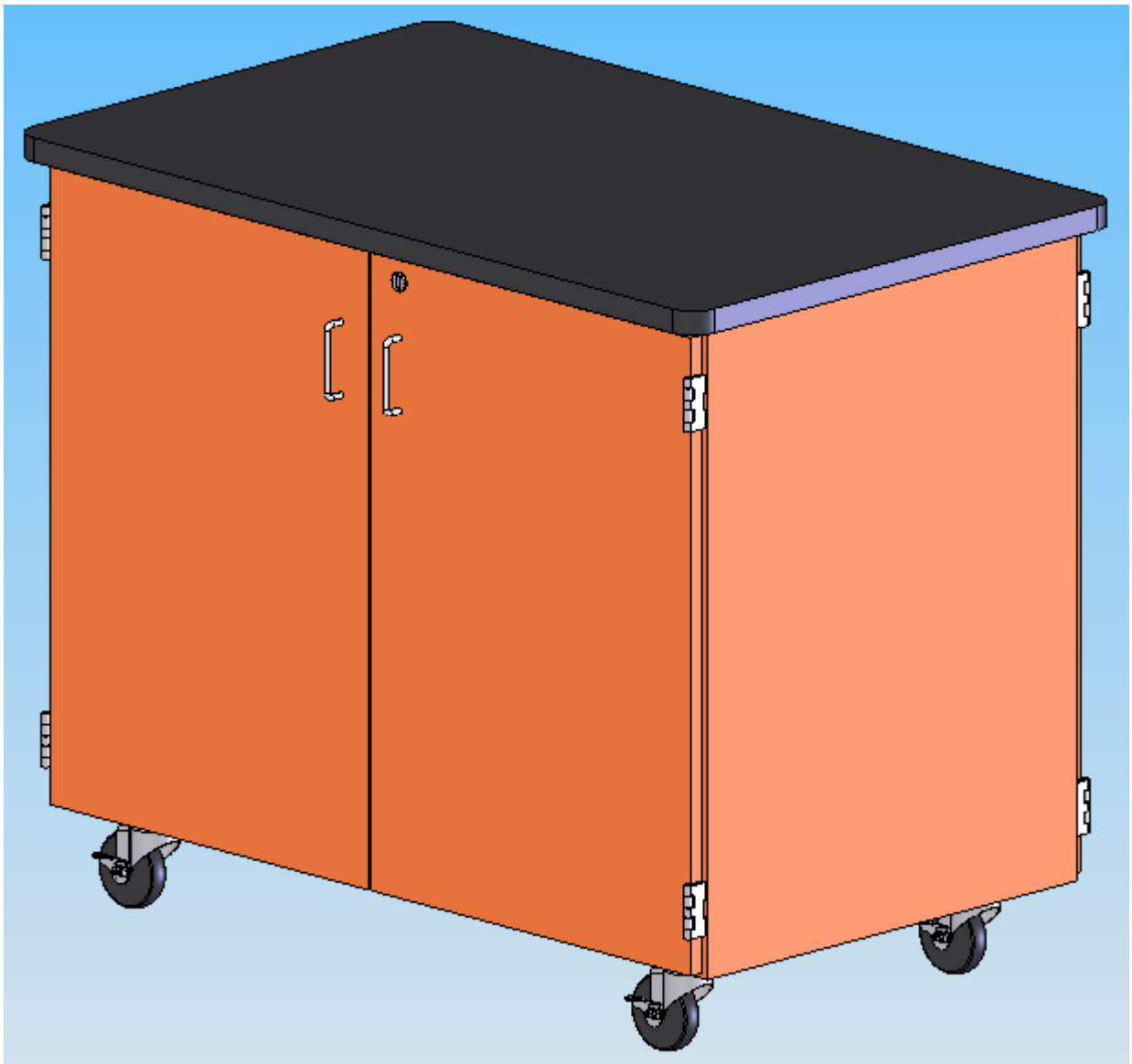


## **4741K MICRO-MOBILE CABINET ASSEMBLY INSTRUCTIONS**



# TABLE OF CONTENTS

	PAGE
REVISIONS TABLE.....	3
ASSEMBLY COMPONENTS.....	4
CASTER ASSEMBLY.....	5
DIVIDER ASSEMBLY.....	5
TROUBLE SHOOTING.....	6

# ASSEMBLY COMPONENTS

ITEMS INCLUDED	PART #		PART #
ASSEMBLY INSTRUCTIONS		1-HARDWARE BOX	
4-CASTER,4" SWIVEL TOP PLATE	100081	1 - ELECTRICAL EXTENSION CORD	100036
1 - CASTER HARDWARE BAG	206509	12-MICROSCOPE DIVIDERS	100995

\*\*\*Please Refer to Ken-A-Vision's #SCGNO9 Manual for operating instructions\*\*\*

REV	DESCRIPTION	DATE	INITIAL
---	Original Created	2-19-07	JWD
	Hardware Updated	5-14-09	NAM



**Assembly Instructions for  
4741K MICRO-MOBILE CABINET**

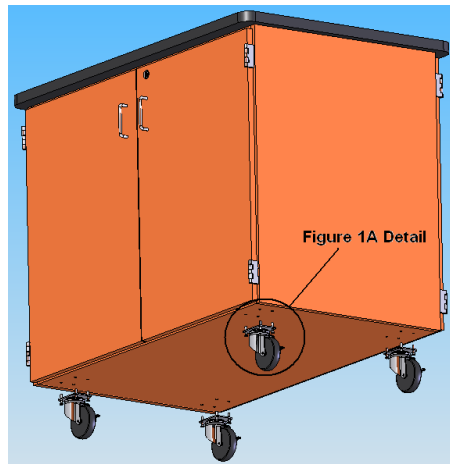
Items not included but needed for assembly:

1. 1/2" Wrench
2. Adjustable pliers

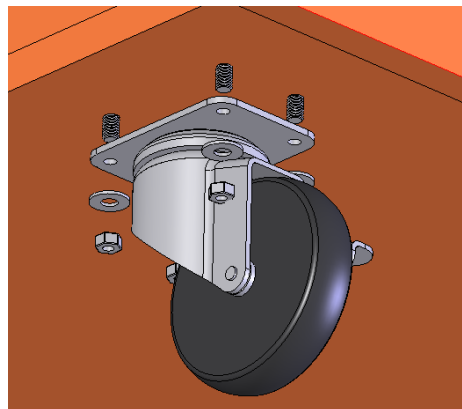
Instructions:

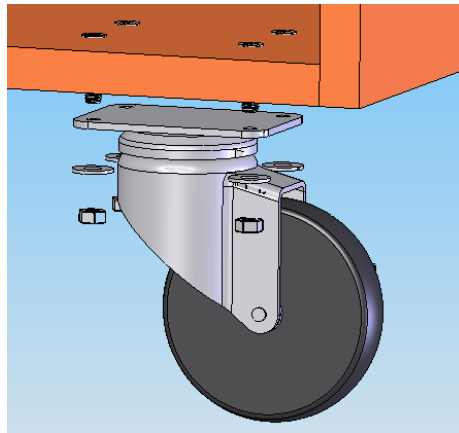
1. Attach the (4) 100081 4" SWIVEL TOP PLATE, W/BRAKE Casters into place using the (16) 100488 SCREW, 1/4" - 20X1 1/4" SLOTTED FLAT, & the (16) 100483 NUT, 1/4" - 20 HEX ZINC into the bottom of the base as shown.

**Figure 1**



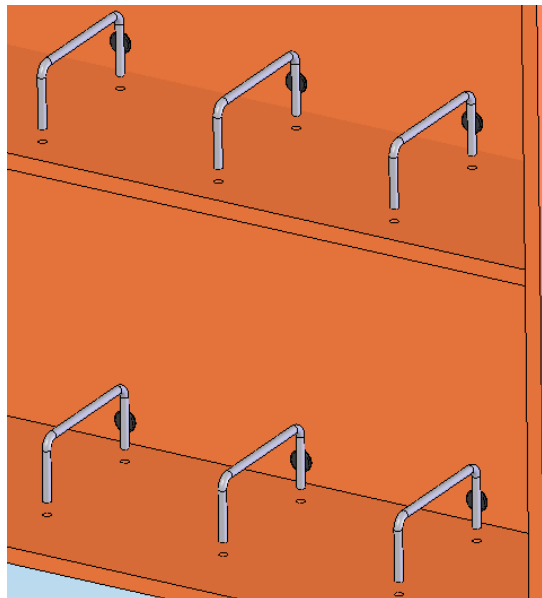
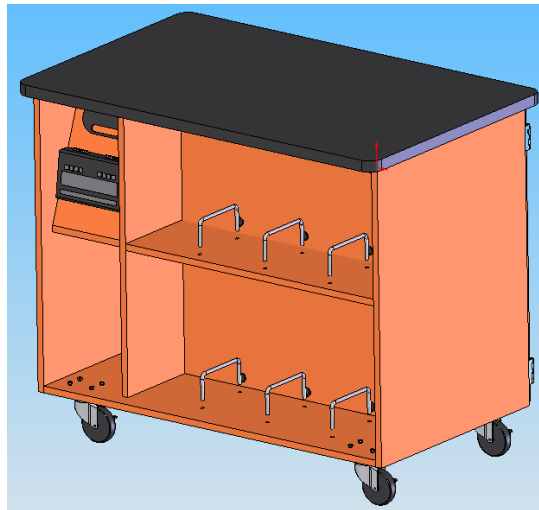
**Figure 1A Detail**





2. Insert microscope dividers (100995) into pre-drilled holes as shown.  
**NOTE: Doors removed to show details.**

**Figure 2**



3. Clean top with water only.

Trouble Shooting Tip:

If the lights on the power distribution panel do not come on and run in sequence, it is possible the power supply has become disconnected inside the unit. This can be checked by removing one of the wood panels the power distribution panel is mounted on.